

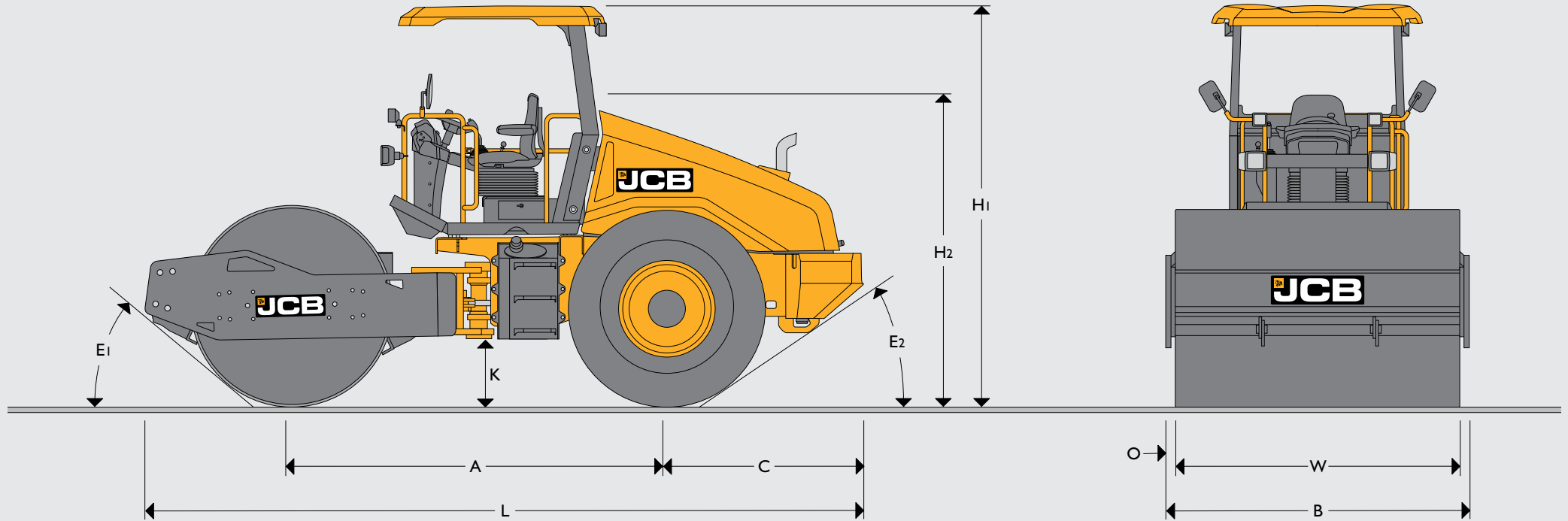


SINGLE DRUM SOIL COMPACTOR | JCB 116D

Operating weight: 11350kg Engine power: 85kW (114hp) Drum width: 2100mm



STATIC DIMENSIONS



STATIC DIMENSIONS

A	Wheelbase	mm	2846
B	Overall width	mm	2240
C	Axle to rear face	mm	1517
E1	Front departure angle	degrees	39
E2	Rear departure angle	degrees	34
H1	Total travel clearance	mm	2995
H2	Height to top of seat (unfolded)	mm	2280
K	Ground clearance	mm	443
L	Total travel length	mm	5473
O	Overhang	mm	70
W	Drum width	mm	2100
	Drum diameter (smooth drum)	mm	1500
	Inner diameter (padfoot drum)	mm	1500
	Outer diameter (padfoot drum)	mm	1680
	Drum thickness	mm	28

ENGINE		
Manufacturer		JCB
Model		JCB DIESELMAX TCA-85
Total displacement	cm ³	4399
Gross power	kW (hp)	85 (114)
Operating speed / Rated speed	rpm	2000 / 2200
Starting device		Electric motor
Air cleaner		Two stage dry type
Fuel filter		Cartridge
Emission		Tier III

OPERATING DATA		
Operating weight	kg	11350
Max. operating weight	kg	13200
Operating axle load front / rear	kg	6450 / 4900
Vibration stage		1 2
Exciter frequency	Hz (vpm)	32 (1920) 36 (2160)
Nominal amplitude	mm	1.8 0.8
Centrifugal force	kN	256 147
Static linear load	kg/cm	30.7
Working speed (forward / reverse) max.	km/h	5
Travel speed (forward / reverse) max.	km/h	10.5
Steering lock angle	degrees	35
Oscillation angle	degrees	15
Inner turning radius	m	3.4
Tyres		23.1-26/8PR
Number of padfeet (optional PD shell)		132
Height of padfeet (optional PD shell)		90
Gradeability up to (drum drive)	degrees	28.5 / 55

SERVICE CAPACITIES		
Fuel	litres	300
Engine oil	litres	14
Gear oil (exciter)	litres	5
Hydraulic oil	litres	80
Coolant / System	Alternator	21

ELECTRICAL SYSTEM		
Voltage	V	12
Battery capacity	Ah	120
Alternator	V	90

PROPULSION
Infinitely variable hydrostatic direct drive by variable displacement motor on rear axle and drum, limited slip axle. Infinitely variable

EXCITER DRIVE
Electronically-controlled hydrostatic direct drive on drum.

EXCITER
Dual-amplitude circular exciter with overturning weights.

STEERING SYSTEM
Servo assisted centre articulation with automatic oscillation. Servo assisted centre articulation with automatic oscillation.

BRAKING SYSTEM
Service brake: Hydrostatic propulsion system.
Parking brake: Hydraulically-released multi-disk brake on rear axle and drum drive
Emergency brake: Electronically-controlled, disk brake, on rear axle and drum drive.

INDICATORS AND SWITCHES
Engine RPM with hour meter, fuel gauge, engine temperature gauge, indicators for engine oil pressure, battery charging current, hydraulic oil and air filter condition, parking brake, neutral position control lever, switches for speed range selection, frequency, acoustic back-up alarm, four working lights, head lamps, turn signal, hazard-warning lights.

OPTIONS
ROPS & FOPS cab, ROPS & FOPS canopy, Compatronic compaction measurement device, padded foot drum shell.



ONE COMPANY, OVER 300 MACHINES.

Your nearest JCB dealer

Single Drum Soil Compactor JCB 116D

Operating weight: 11350kg Engine power: 85kW (114hp) Drum width: 2100mm

JCB Sales Limited, Rokester, Staffordshire, United Kingdom ST14 5JP.

Tel: +44 (0)1889 590312 Email: salesinfo@jcb.com

Download the very latest information on this product range at: www.jcb.com

©2009 JCB Sales. All rights reserved. No part of this publication may be reproduced, stored in a retrieval system, or transmitted in any form or by any other means, electronic, mechanical, photocopying or otherwise, without prior permission from JCB Sales. All references in this publication to operating weights, sizes, capacities and other performance measurements are provided for guidance only and may vary dependant upon the exact specification of machine. They should not therefore be relied upon in relation to suitability for a particular application. Guidance and advice should always be sought from your JCB Dealer. JCB reserves the right to change specifications without notice. Illustrations and specifications shown may include optional equipment and accessories. All images are correct at time of print. The JCB logo is a registered trademark of J C Bamford Excavators Ltd.

